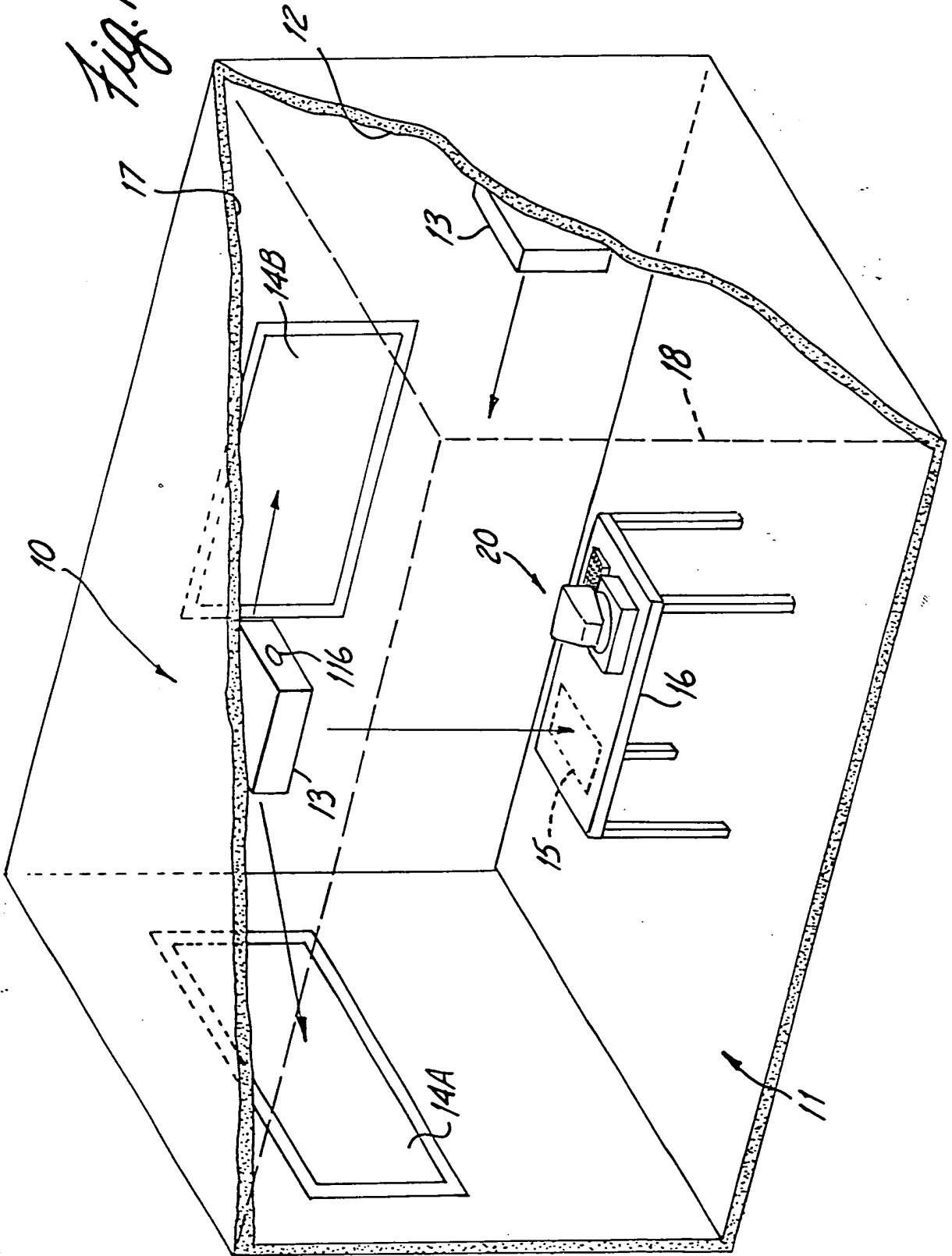
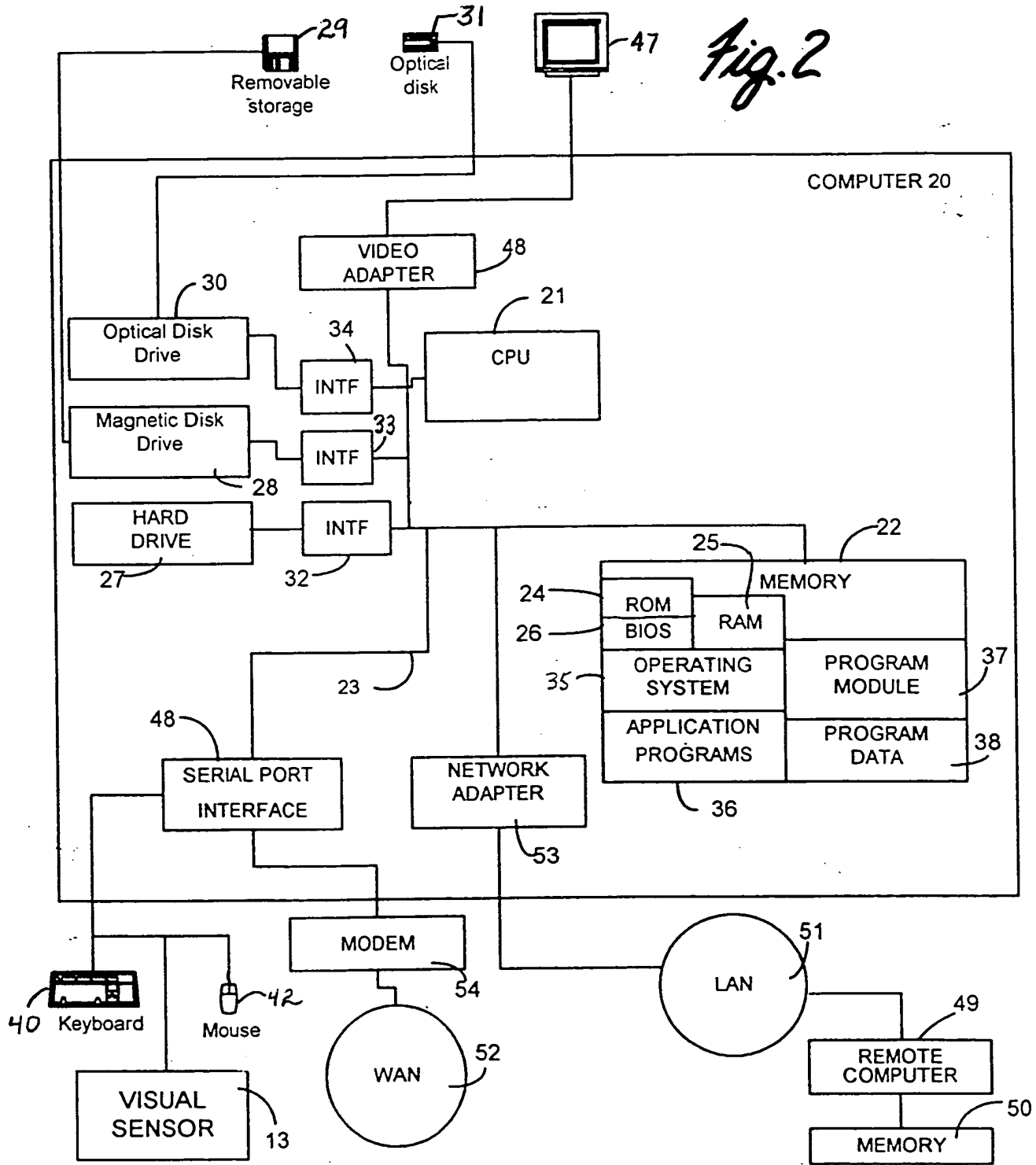


Fig. 1



*Fig. 2*



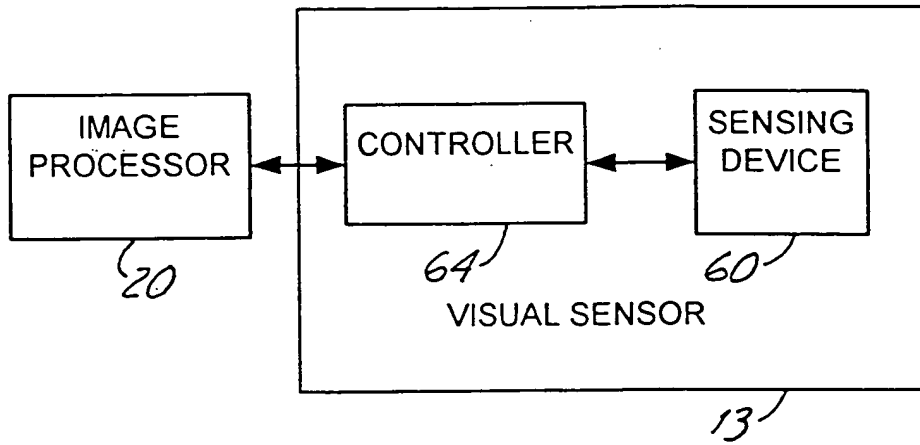
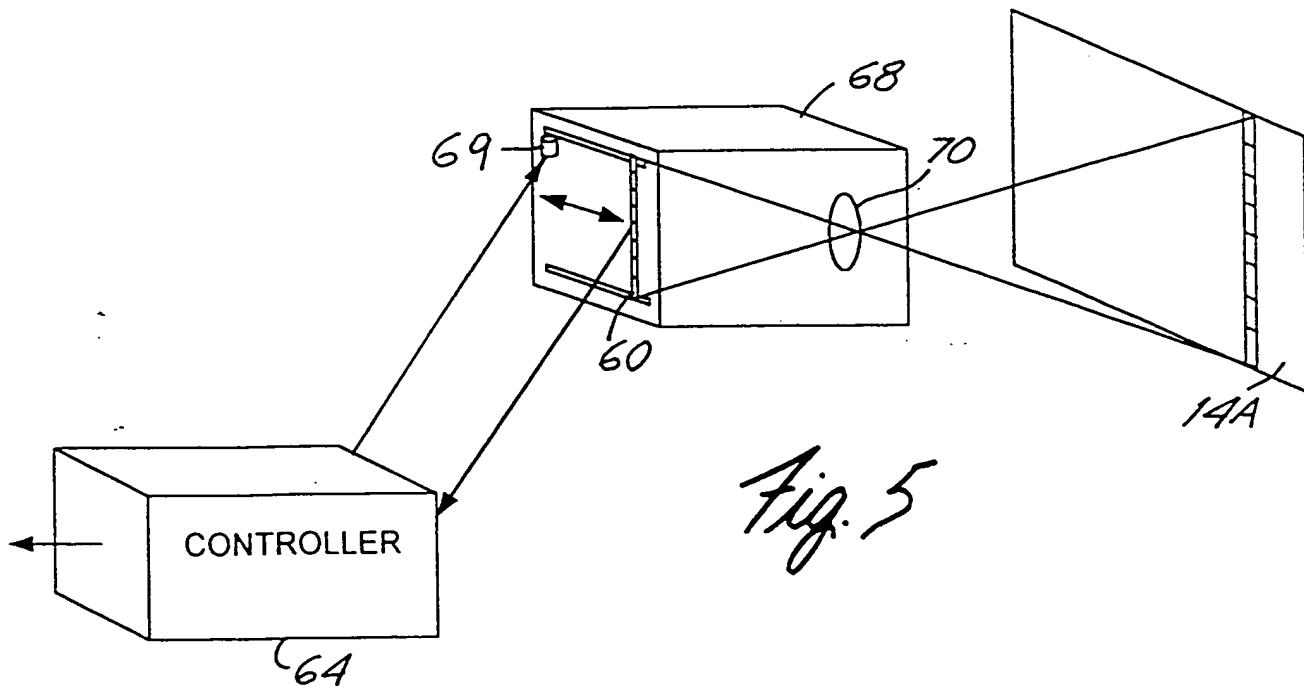
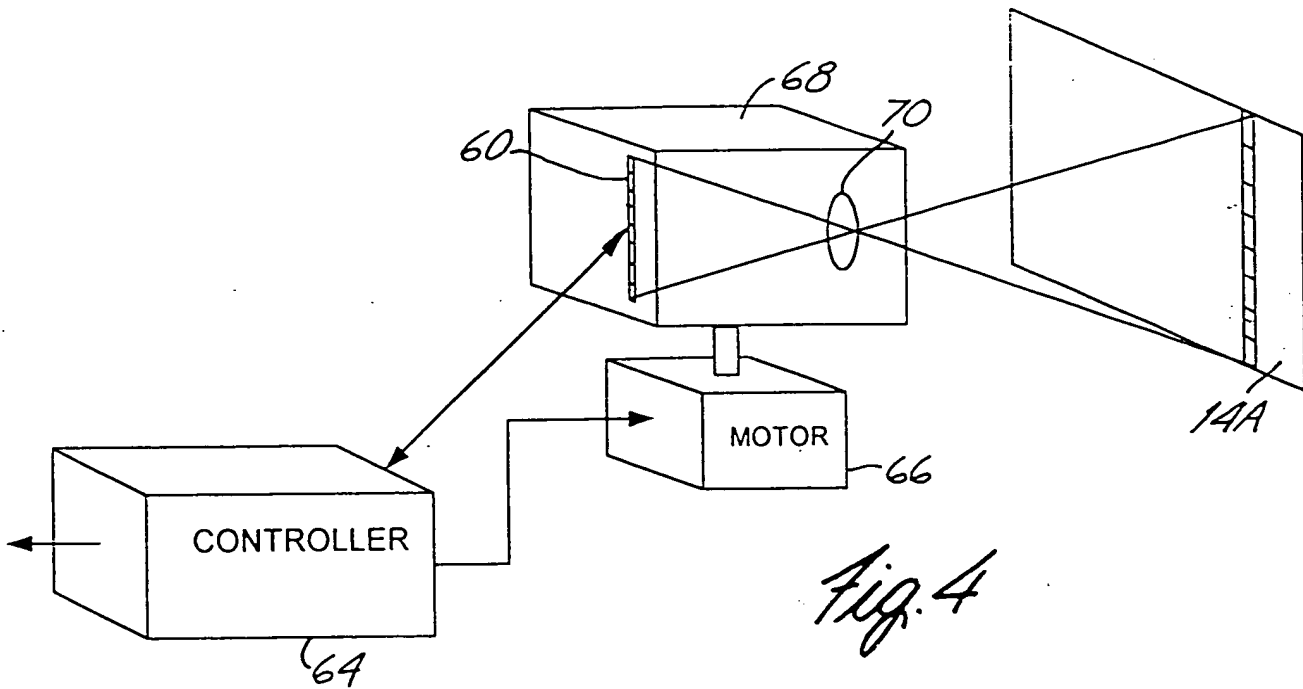


Fig. 3

2025 RELEASE UNDER E.O. 14176

Patent Application





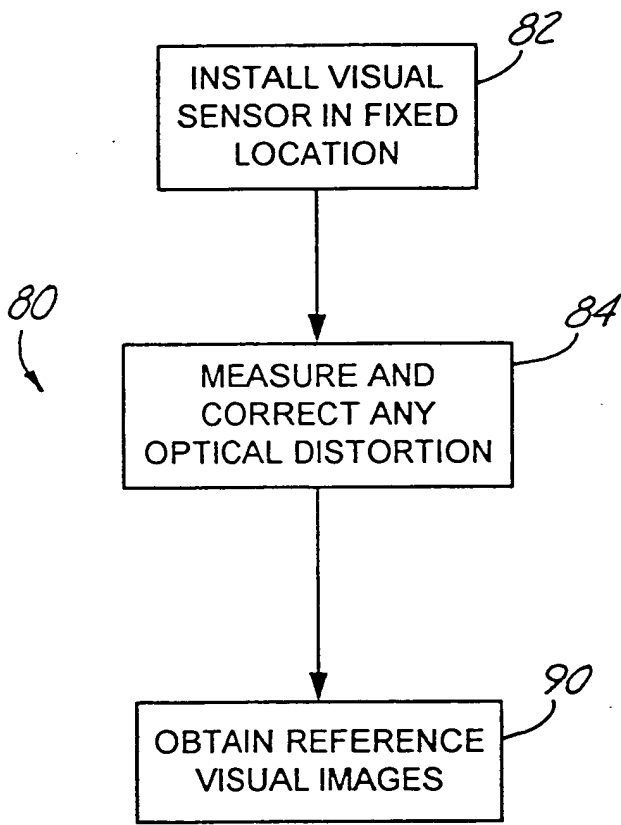


Fig. 7

00000000000000000000

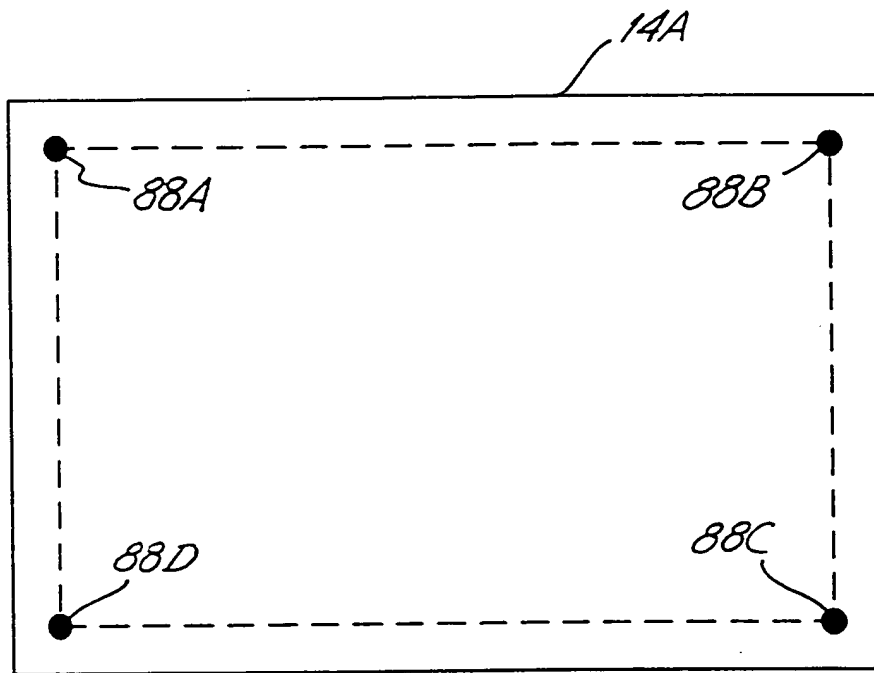


Fig. 8





COPIED FROM PATENT DOCUMENT

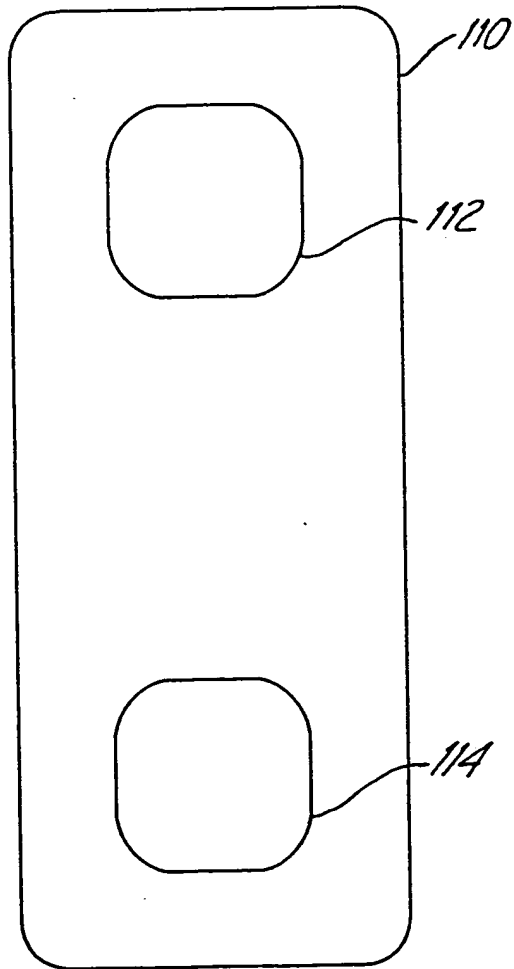


Fig. 10